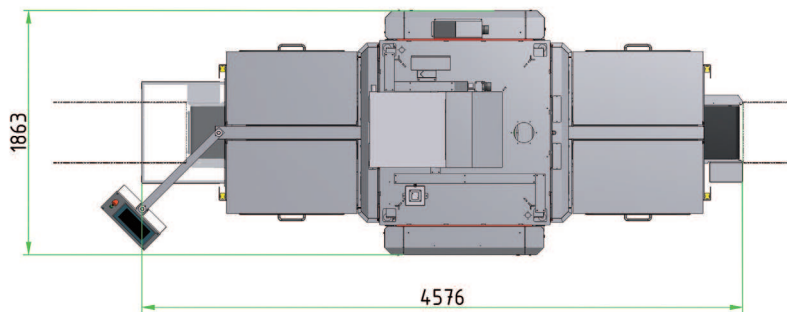
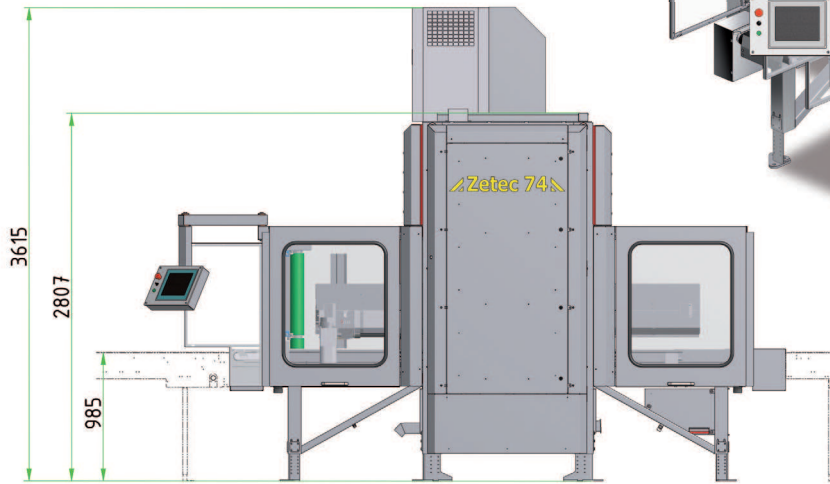
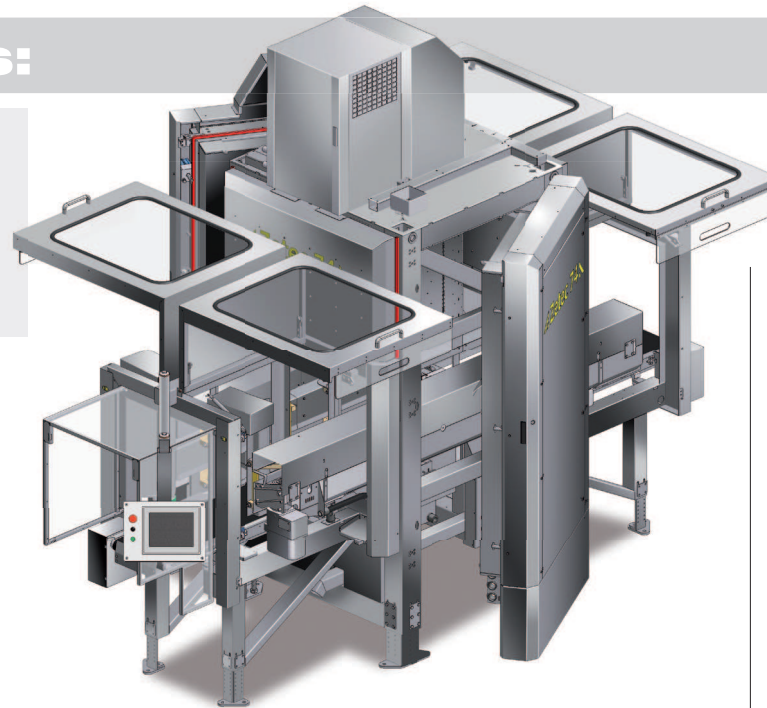


Technical features:

- Power supply: 3 x 400 V + N + PE / 50 Hz
- Power consumption: middle 4,5 kW (peak 30 kW)
- Residual water: < 3 grams / crate
- Air supply: 6 bar
- Air consumption: 200 NI
- Components: stainless steel, aluminium, synthetics



Zetec 74

Different Pool-crates

Europool green



Europool blue



Ifco



Steco



Chep old



Chep new



Eurocrate



Polymer



Logifruit



Interseroh



Tesco



Linpac

